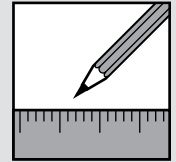
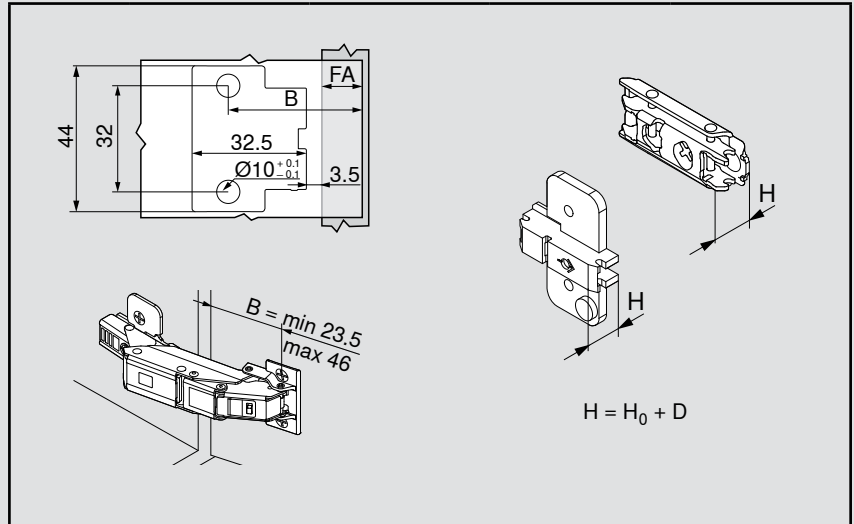
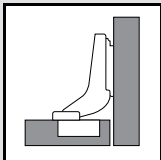
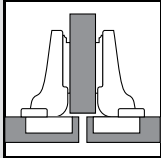
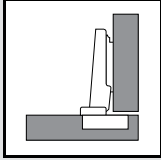


CLIP top BLUMOTION
for thin doors 110°



i

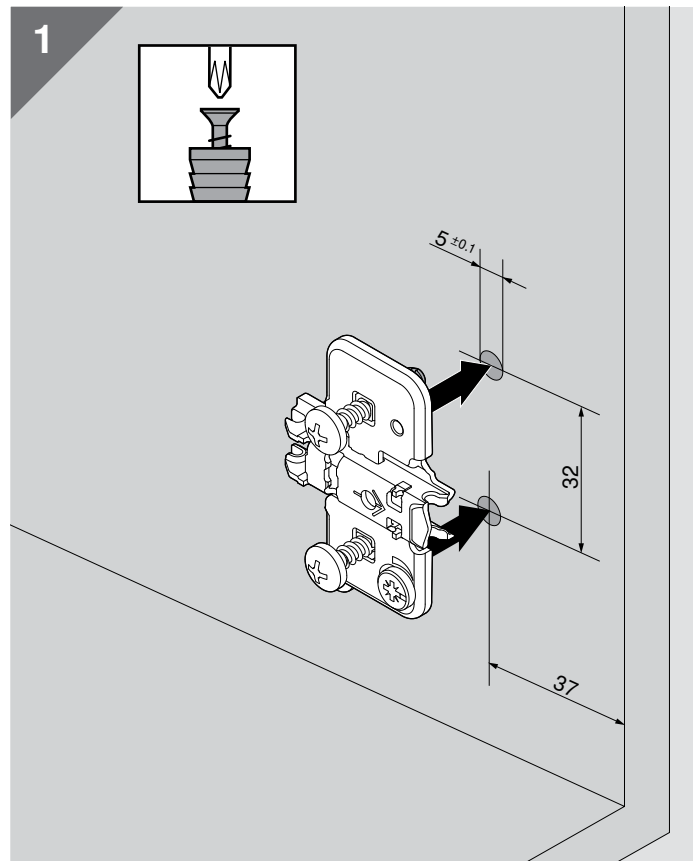
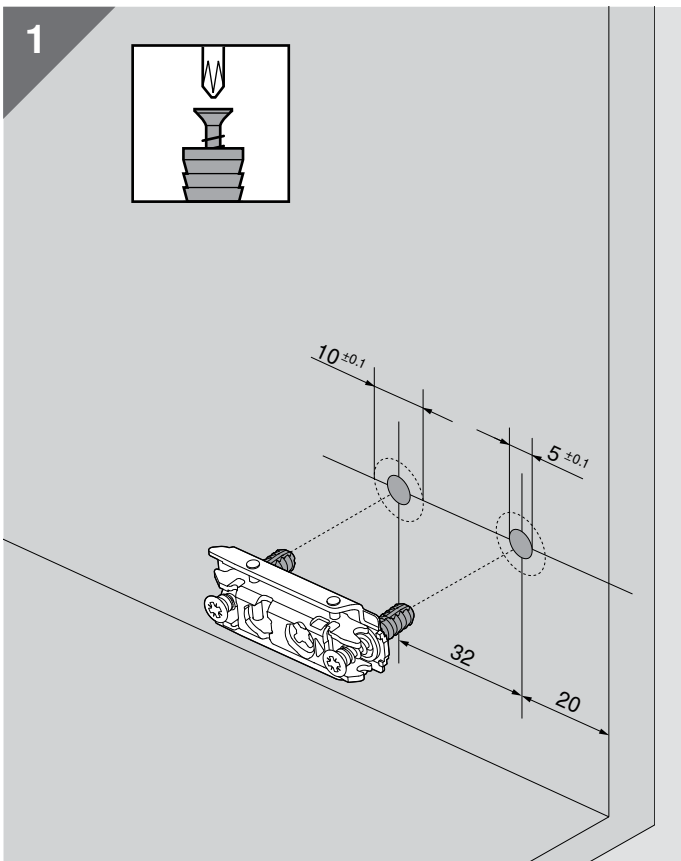
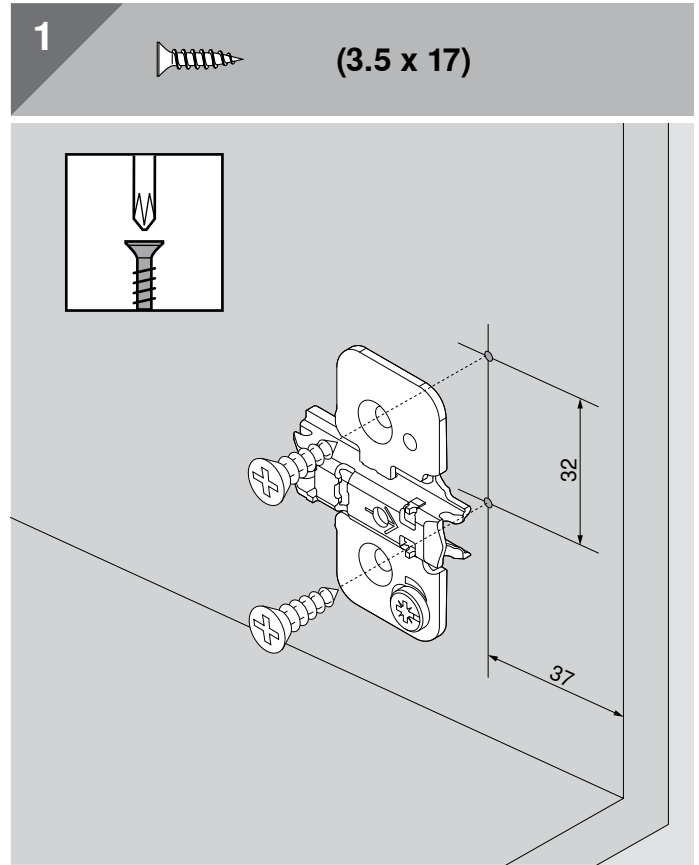
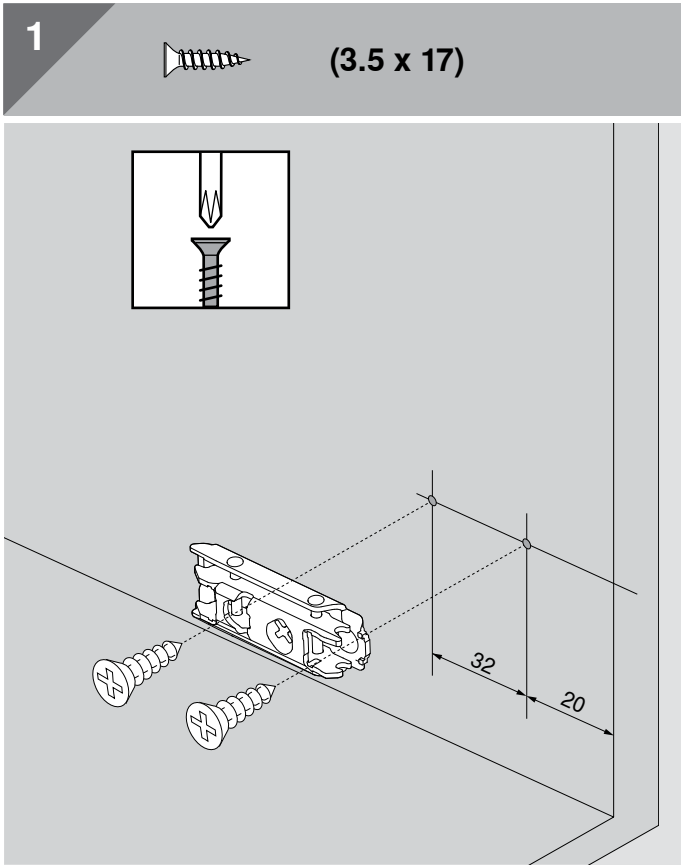


| | | | |
|----------------------------|--------------------------|--------------------------|--------------------------|
| $H = H_0 = 8.5 \text{ mm}$ | $H = 11.5 \text{ mm}$ | $H = 14.5 \text{ mm}$ | $H = 17.5 \text{ mm}$ |
| $D = 0 \text{ mm}$ | $D = 3 \text{ mm}$ | $D = 6 \text{ mm}$ | $D = 9 \text{ mm}$ |
| $B = FA + 27 \text{ mm}$ | $B = FA + 30 \text{ mm}$ | $B = FA + 33 \text{ mm}$ | $B = FA + 36 \text{ mm}$ |

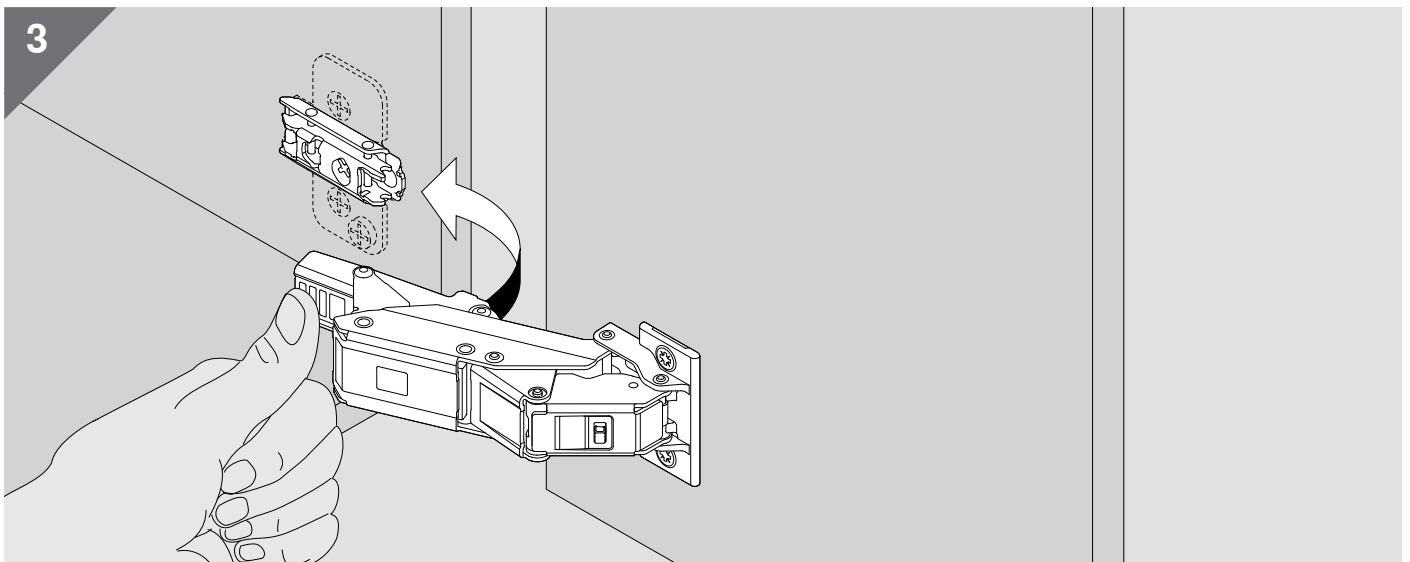
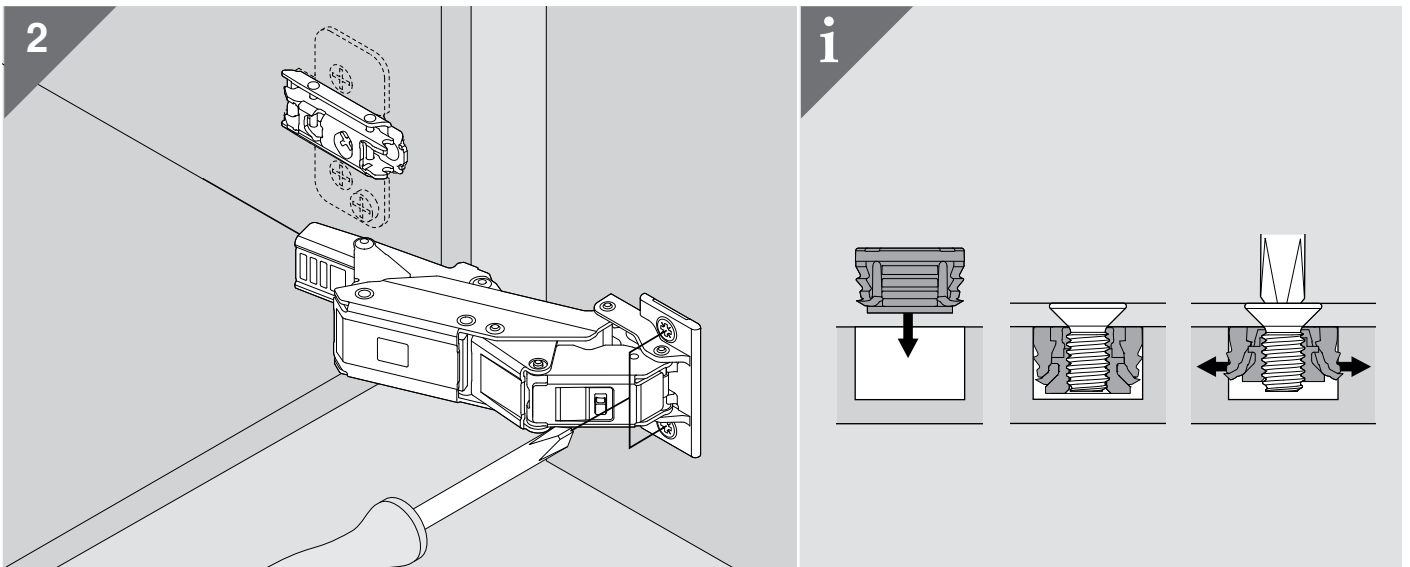
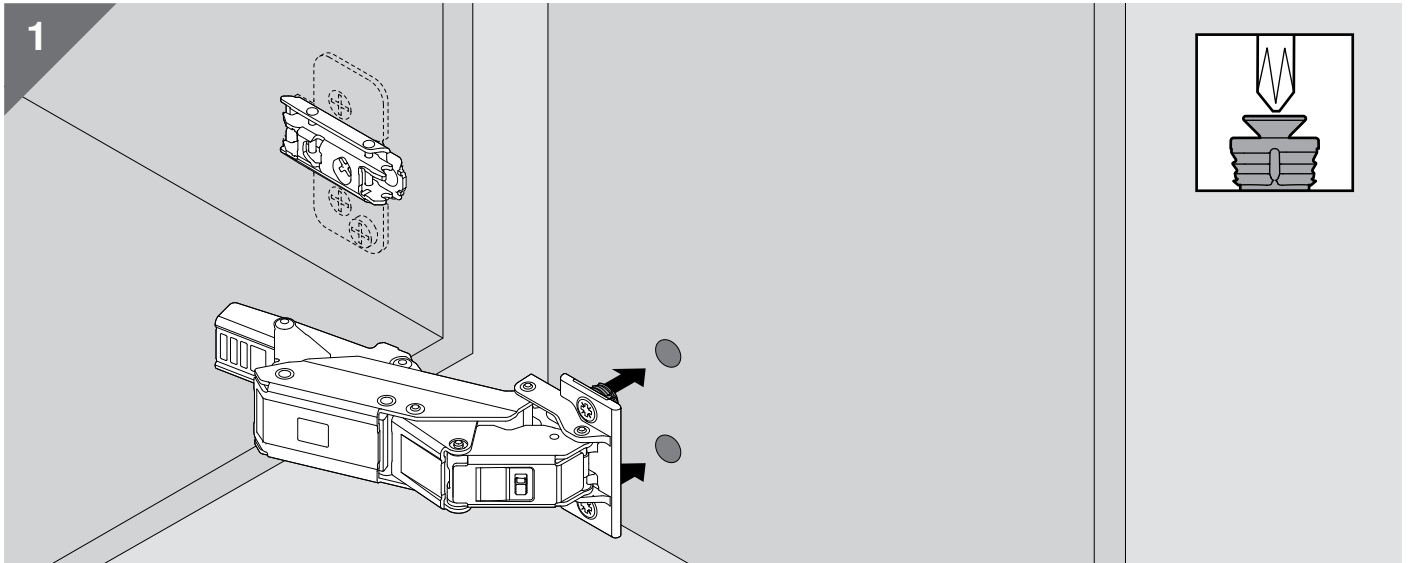
| FA | B | B | B | B |
|---------|---------|---------|---------|---------|
| -3.5 mm | 23.5 mm | 26.5 mm | 29.5 mm | 32.5 mm |
| -3 mm | 24 mm | 27 mm | 30 mm | 33 mm |
| -2.5 mm | 24.5 mm | 27.5 mm | 30.5 mm | 33.5 mm |
| -2 mm | 25 mm | 28 mm | 31 mm | 34 mm |
| -1.5 mm | 25.5 mm | 28.5 mm | 31.5 mm | 34.5 mm |
| -1 mm | 26 mm | 29 mm | 32 mm | 35 mm |
| 2.5 mm | 29.5 mm | 32.5 mm | 35.5 mm | 38.5 mm |
| 4 mm | 31 mm | 34 mm | 37 mm | 40 mm |
| 5.5 mm | 32.5 mm | 35.5 mm | 38.5 mm | 41.5 mm |
| 7 mm | 34 mm | 37 mm | 40 mm | 43 mm |
| 8.5 mm | 35.5 mm | 38.5 mm | 41.5 mm | 44.5 mm |
| 10 mm | 37 mm | 40 mm | 43 mm | 46 mm |
| 11.5 mm | 38.5 mm | 41.5 mm | 44.5 mm | |
| 13 mm | 40 mm | 43 mm | 46 mm | |
| 14.5 mm | 41.5 mm | 44.5 mm | | |
| 16 mm | 43 mm | 46 mm | | |
| 17.5 mm | 44.5 mm | | | |
| 19 mm | 46 mm | | | |

CLIP top BLUMOTION
for thin doors 110°

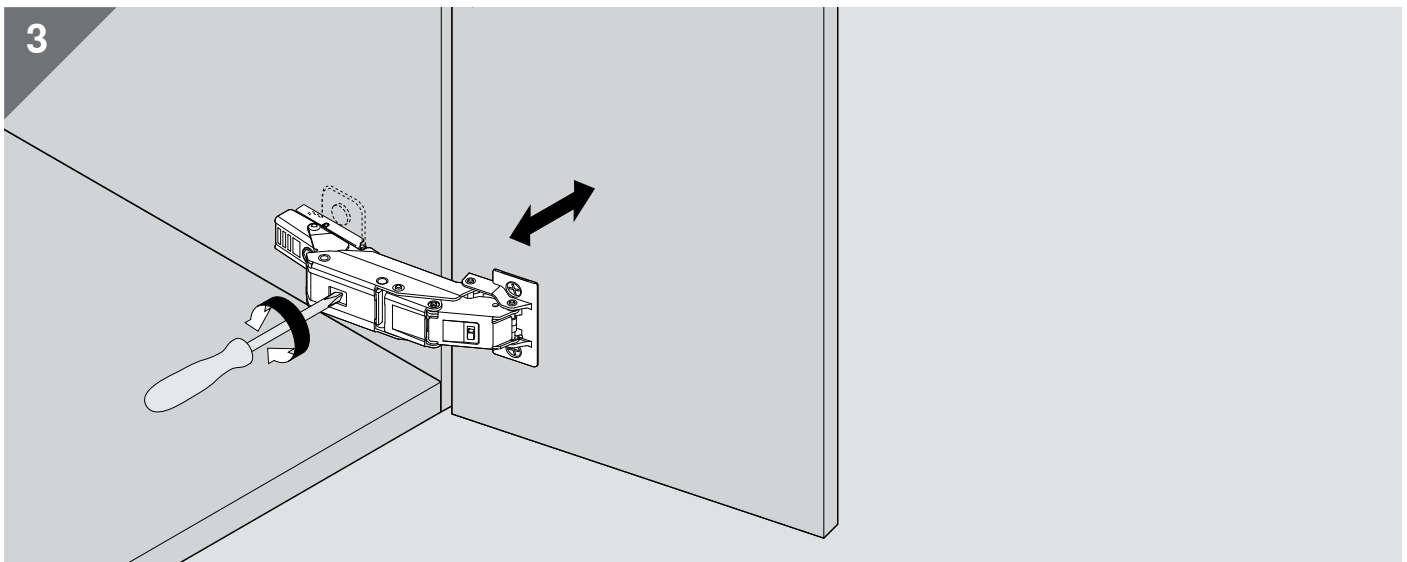
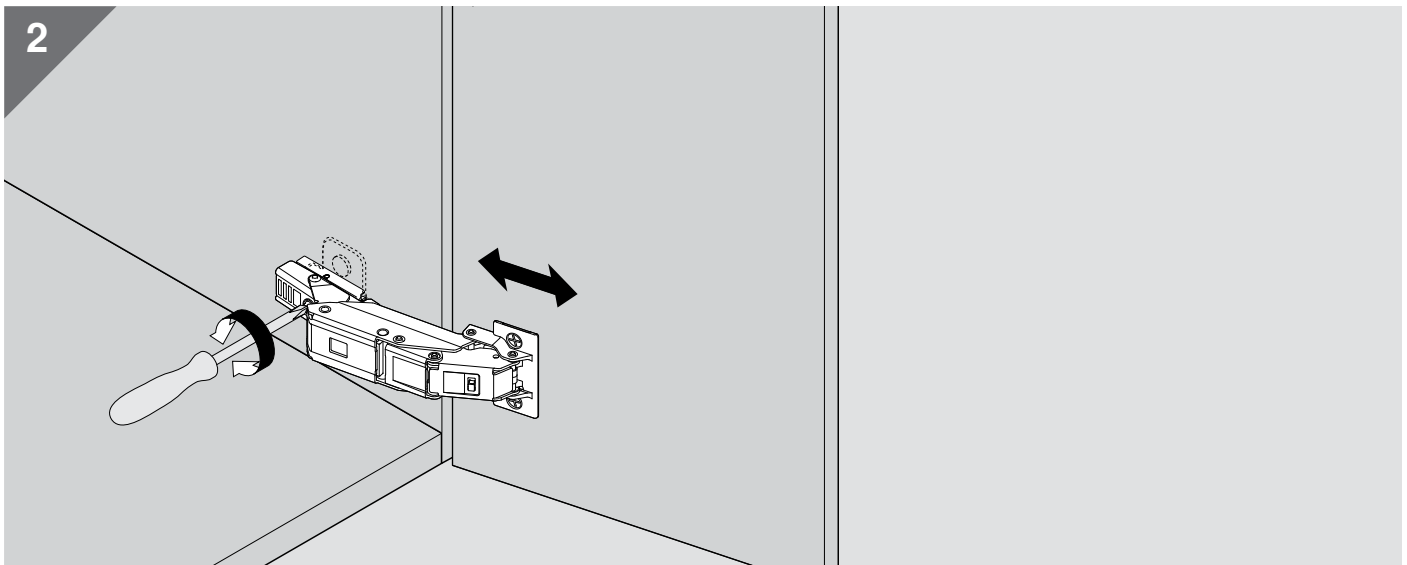
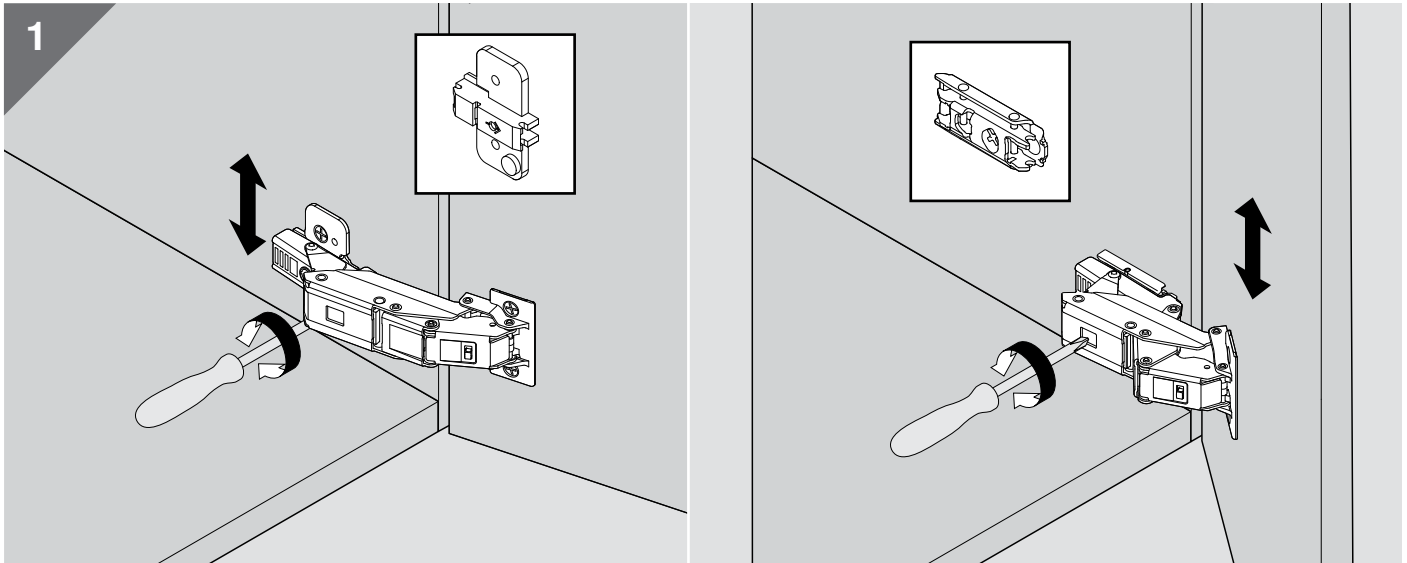
 **blum**



CLIP top BLUMOTION
for thin doors 110°



CLIP top BLUMOTION
for thin doors 110°



CLIP top BLUMOTION
for thin doors 110°

